



Electrolux
PROFESSIONAL

Installation accessories
Stacking kit for 6 GN 2/1 oven
placed on gas 10 GN 2/1

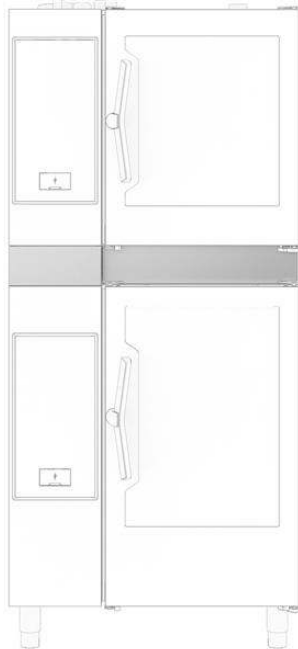
ITEM # _____

MODEL # _____

NAME # _____

SIS # _____

AIA # _____



922625 (STK6211021)

Stacking kit for gas 6 GN 2/1
oven placed on gas 6 GN
2/1 oven

Main Features

- Ideal for saving kitchen space.
- Includes: supports, external panels, flue and water pipes, drain connection and adjustable feet.
- The kit can be mounted on site.
- Typology (gas, electric) must be ordered considering the oven that will be placed at the bottom.

Construction

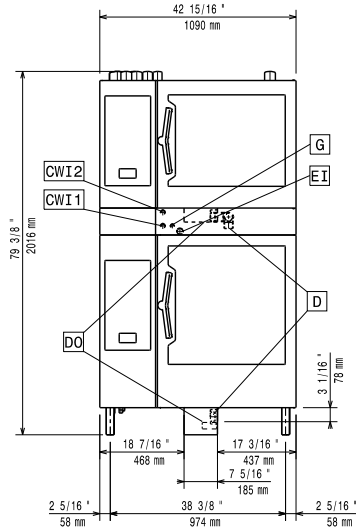
- The kit includes supports, external panels and flue pipes.
- The kit can be mounted on site.

APPROVAL: _____

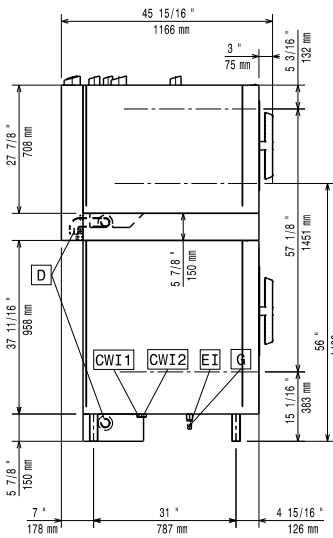


Experience the Excellence
www.electroluxprofessional.com

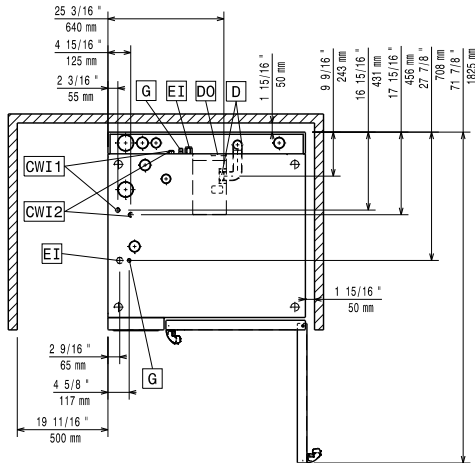
Front



Side



Top



Key Information:

External dimensions, Width:	
922625 (STK6211021)	1090 mm
External dimensions, Depth:	1092 mm
External dimensions, Height:	150 mm
Net weight:	58.6 kg
Shipping weight:	56 kg